

Service
Service
Service



Service Manual

TABLE OF CONTENTS

	Page
Specification and Service Hint	1-1
Handling chip components	1-2
Instruction for use	2-1 to 2-8
Mechanical Instructions	3-1
Block Diagrams	4-1 to 4-2
Schematic diagrams	5-1 to 5-3
Component layout diagrams	6-1 to 6-2
Exploded view & Service parts	7-1
Electrical Parts list	8-1 to 8-3

© Copyright 2003 Philips Consumer Electronics B.V. Eindhoven, The Netherlands
All rights reserved. No part of this publication may be reproduced, stored in a retrieval system or transmitted, in any form or by any means, electronic, mechanical, photocopying, or otherwise without the prior permission of Philips.

Published by YT 0439 Service Audio Printed in The Netherlands Subject to modification

GB 3141 785 30070

Version 1.0



PHILIPS

TECHNICAL SPECIFICATION and SERVICE HINTS

General

Dimensions (WxLx H)	: 54,3x84,5x18,3mm : 2,2x3,4x0,7inch
Weight	: 93g. (3.3oz)
Output power	: 2 x 5mW (16 ohm)
Frequency response	: 20 - 20.000Hz
Equalizer	: 5 bandDSP controlled
Hard disk	: 1,0" micro HDD
Capacity	: 2,0GB (HDD070) : 2,0GB (HDD065) : 1,0GB (HDD050)
Display	: Black/White : 128 x 96 pixels
Backlight	: WhiteLed
Battery	: 750mAh Lithium Ion
Battery life time	: >10hr
File transfer rate using USB	: 800kbyte/s
Battery charging currunt	: 600 - 700mA
Maximum charging time	: 2,5hr
Battery cutoff voltage	: 3,4V
Connections	: Stereoheadphone : Mini USB (B-type) : DC charger input

Battery level detection

Detection Level	Typ.
3-step to 2-step voltage	3,95V
2-step to 1-step voltage	3,8V
1-step to 0-step voltage	3,7V
Low Batt. Warning voltage	3,55V
Force Power Off voltage	3,4V

Current consumption

DC-IN SUPPLY (5.0V)	
Battery Charging Current	600mA typ.
BATT. SUPPLY (4,8V)	
Power Off	240uA
Ldle with LCD Backlight on	50mA typ.
Playback without HDD reading	50mA
Playback with HDD reading	350mA
File tranfer using USB1.1	350mA

Headphone out (headphone output load 2x16 ohm)

Maximum output power	: +/-10mW
Frequency response	: 20Hz - 20kHz
SNR (A-wght)	: 80dB typ.
THD (1kHz)	: 0,01% - 0,1%
Left-Right Channel Separation	: 32dB typ.
Left-Right Channel Balance	: 0,5dB
Volume control	: +/-1dB steps

Supported playback format

MP3	: 8 - 320 Kbps and VBR
WMA	: 32 - 192 Kbps
Sample rates	: 8, 11.025, 16, 22.050 : 32, 44.1, 48
ID3-tag support	: Yes
PC Connectivity	: USB
File Transfer	: via PHILIPS Digital Media Manager for music playback or Windows Explorer for general data (music playback disabled)

Firmware and software upgrades

For the best interaction between your HDD and your PC. check www.philips.com/support for the latest upgrades available.

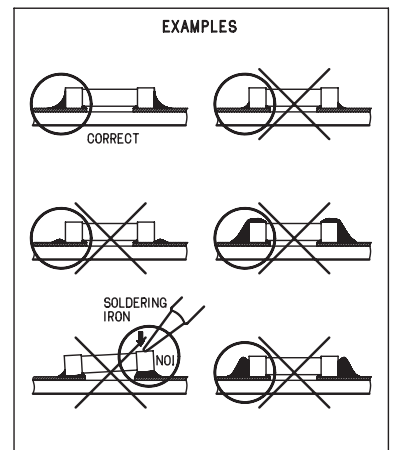
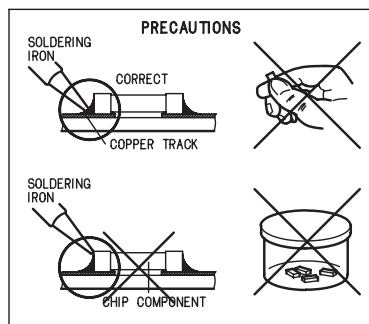
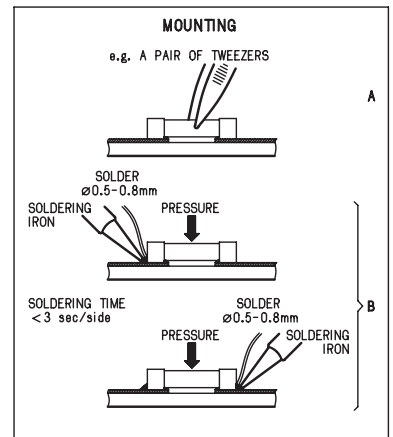
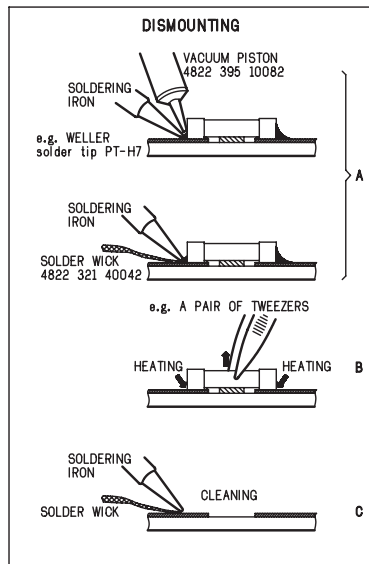
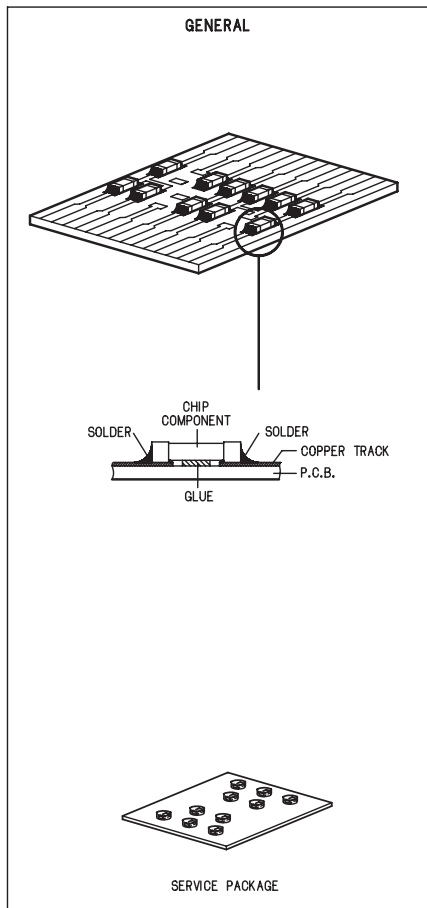
Accessories

Accessories for	HDD050, HDD065, HDD070			
	/00	/05	/10	/07, /17
AY3192/00 AC/DC Adaptor 3140 118 33801	X			
AY3192/05 AC/DC Adaptor 3140 118 33811		X		
AY3192/10 AC/DC Adaptor 3140 178 30061			X	
AY3192/17 AC/DC Adaptor 3140 118 33821				X
Headphone HE570/77T 9082 100 02543	X	X	X	X
Neck Strap 3104 200 05631	X	X	X	X
Pouch HDD070 3104 200 52381	X	X	X	X
CD Rom HDD070 3104 209 10191	X	X	X	X

Service Hints

- To replace the Hard disk (HDD) please follow the next instructions:
- Replace the HDD (the delivered HDD are empty and formatted).
 - Start up the device.
 - Connect the device via USB to the computer and start up the Digital Media Manager (DMM)
 - The DMM start to make the new structure on, and an empty database.

HANDLING CHIP COMPONENTS



GB WARNING

All ICs and many other semiconductors are susceptible to electrostatic discharges (ESD). Careless handling during repair can reduce life drastically. When repairing, make sure that you are connected with the same potential as the mass of the set via a wristband with resistance. Keep components and tools at this potential.

ESD



NL WAARSCHUWING

Alle IC's en vele andere halfgeleiders zijn gevoelig voor electrostatische ontladingen (ESD). Onzorgvuldig behandelen tijdens reparatie kan de levensduur drastisch doen verminderen. Zorg ervoor dat u tijdens reparatie via een polsband met weerstand verbonden bent met hetzelfde potentiaal als de massa van het apparaat. Houd componenten en hulpmiddelen ook op ditzelfde potentiaal.

F ATTENTION

Tous les IC et beaucoup d'autres semi-conducteurs sont sensibles aux décharges statiques (ESD). Leur longévité pourrait être considérablement écourtée par le fait qu'aucune précaution n'est prise à leur manipulation. Lors de réparations, s'assurer de bien être relié au même potentiel que la masse de l'appareil et enfilez le bracelet serti d'une résistance de sécurité. Veiller à ce que les composants ainsi que les outils que l'on utilise soient également à ce potentiel.

D WARNUNG

Alle ICs und viele andere Halbleiter sind empfindlich gegenüber elektrostatischen Entladungen (ESD). Unvorsichtige Behandlung im Reparaturfall kann die Lebensdauer drastisch reduzieren. Sorgen Sie dafür, daß Sie im Reparaturfall über ein Pulsarmband mit Widerstand mit dem Massepotential des Gerätes verbunden sind. Halten Sie Bauteile und Hilfsmittel ebenfalls auf diesem Potential.

I AVVERTIMENTO

Tutti IC e parecchi semi-conduttori sono sensibili alle scariche statiche (ESD). La loro longevità potrebbe essere fortemente ridotta in caso di non osservazione della più grande cautela alla loro manipolazione. Durante le riparazioni occorre quindi essere collegato allo stesso potenziale che quello della massa dell'apparecchio tramite un bracciale a resistenza. Assicurarsi che i componenti e anche gli utensili con quali si lavora siano anche a questo potenziale.

GB

Safety regulations require that the set be restored to its original condition and that parts which are identical with those specified be used. Safety components are marked by the symbol

SAFETY



NL

Veiligheidsbepalingen vereisen, dat het apparaat in zijn oorspronkelijke toestand wordt teruggebracht en dat onderdelen, identiek aan de gespecificeerde, worden toegepast. De Veiligheidsonderdelen zijn aangeduid met het symbool

F

Les normes de sécurité exigent que l'appareil soit remis à l'état d'origine et que soient utilisées les pièces de rechange identiques à celles spécifiées. Les composants de sécurité sont marqués

D

Bei jeder Reparatur sind die geltenden Sicherheitsvorschriften zu beachten. Der Originalzustand des Gerätes darf nicht verändert werden. Für Reparaturen sind Originalersatzteile zu verwenden. Sicherheitsbauteile sind durch das Symbol markiert.

I

Le norme di sicurezza estigono che l'apparecchio venga rimesso nelle condizioni originali e che siano utilizzati i pezzi di ricambio identici a quelli specificati. Componenti di sicurezza sono marcati con

INSTRUCTION FOR USE

We hope you enjoy your hdd

Please visit www.philips.com/support and enter your product name to view:

- FAQ, Frequently Asked Questions
- Latest user manuals
- Latest computer software downloads
- Firmware upgrade files

Since it is possible for you to upgrade your product, we recommend that you register your product on www.philips.com/register so we can inform you as soon as new free upgrades become available.

The typeplate is at the back of the set.

1

Quick start

① Charge the battery

Connect the supplied multi-voltage adapter/charger to the 5V DC jack on hdd and the main power supply. Charge 1 hour for fast charge or 4 hours for 100% battery power. (Battery life may vary according to use.)



② Install music software

Insert the supplied CD into your PC's CD-ROM drive. Follow screen instructions to complete installation.



ATTENTION! WINDOWS 98 USERS:

To avoid installation problems, DO NOT CONNECT hdd to the PC until **AFTER** installation completes.

③ Connect your hdd and PC

Connect your hdd to your PC using the supplied USB cable, with hdd powered by supplied adapter. The USB connection screen will automatically appear.



2

INSTRUCTION FOR USE



④ Organize and transfer music

Launch your music software from Windows desktop or Start menu.
Organize your music.
Transfer music files from your PC to your hdd.


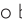
**TIP**

Detailed information is given in selected music software's **Help**.

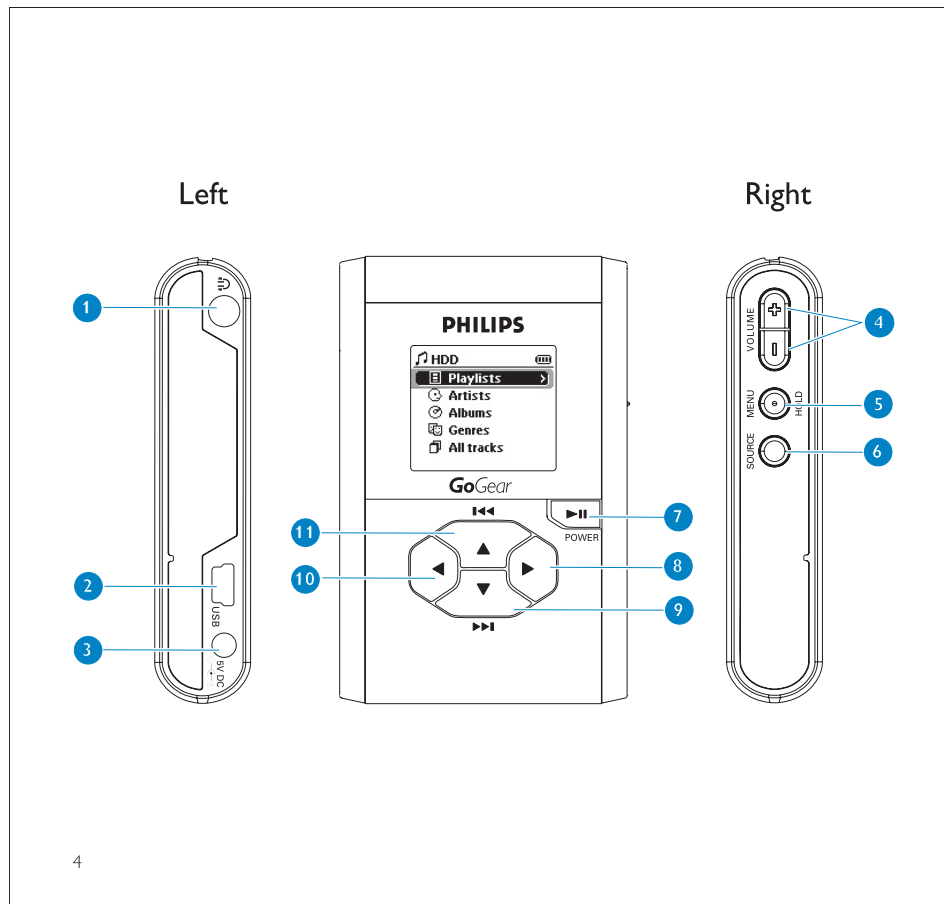
⑤ Safely disconnect hdd

Exit your music software.
Disconnect hdd safely from your PC by clicking  on the task bar to avoid file error.
(**WINDOWS 98SE users:** there is no  icon.
Simply disconnect hdd after file transfer completes.)

⑥ Enjoy music on the go

Press and hold  to switch on hdd.
Use scroll controls to browse and press  to enjoy music!


3



4

INSTRUCTION FOR USE

Overview of controls and connections

- ①  Headphones jack
- ② **USB** USB cable connector
- ③ **5V DC** AC converter jack
- ④ **VOLUME + / -** Volume control
- ⑤ **MENU/HOLD** For menu options / key locking / preset tuning
- ⑥ **SOURCE** For music library / Radio
- ⑦ **▶||** On / Off and Play / Pause
- ⑧ **▶** Right
- ⑨ **▼/▶▶** Next / Fast forward / SuperScroll™
- ⑩ **◀** Left
- ⑪ **▲/◀◀** Previous / Rewind / SuperScroll™

5

Music mode: playback


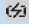
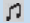
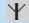











- ① Press **SOURCE** and select **HDD** to enter the music mode.
- ② Press **▲** to scroll up or **▼** to scroll down for your option.
Press **▶** for next or **◀** for previous levels of library.
- ③ Press **▶||** to play or pause your selection.

TIP

The **▶||**, **▲** and **▼** keys are multi-functional. They work according to how you press them: press *halfway down*, press *down fully*, or press and hold.

Understanding hdd display

hdd has an intuitive display to show various information:

 Battery level indicator	 DC power connected
 Music mode	 Radio mode
 Playlist	 Album
 Genres	 Artists
 All tracks	 Equalizer (EQ)
< Previous menu / library level available	> Next menu / library level available
 Repeat once	 Repeat all
 Shuffle	DBB Dynamic Bass Boost selected
 Option available for selection	 Option selected

6

INSTRUCTION FOR USE

Using hdd controls

Troubleshooting	Control to press
Reset hdd	Press and hold ▲ + [VOLUME +]
Restore hdd factory settings	Press MENU/HOLD; scroll to Restore settings . Press ► to confirm
Basic Operation	Controls to press
Switch hdd on / off	Press and hold ►
Call up library options	Press ◀ from the playscreen
Radio mode	Press SOURCE to select Radio from root menu
Lock keys / release locks on hdd	Press and hold MENU/HOLD
Go to different levels of menu	Press ► for next and ◀ for previous
Scrolling and browsing	▲, ▼, ◀, ► for up, down, left, right
Play music	Highlight selection and press ►
Pause music	Press ► during playback
Fast forward in a track	Press halfway down and hold ▼
Rewind in a track	Press halfway down and hold ▲
Change volume	Press VOLUME + / -
Play next or previous track	Press fully down ▼ for next and ▲ for previous
SuperScroll™	Press ▲ or ▼ fully down and hold

7

Customizing settings

- 1 Press MENU/HOLD for settings options. Press ▲ to scroll up or ▼ to scroll down for your option. Press ► for next or ◀ for previous levels of menu.
- 2 Press ► to confirm your selection by checking ○.
- 3 Press MENU/HOLD or ◀ to exit the menu display. Options for each setting are shown on hdd's display.

Advanced settings and actions	
Repeat / Shuffle	Play music tracks randomly (<i>Shuffle</i>) and / or repeatedly (<i>Repeat</i>)
DBB	Enable or disable D ynamic B ass B oost
Sleep timer	Set time to switch off hdd
Equalizer	Adjust sound settings
[>] key shortcut	Adjust ► key actions during playback (Default: Repeat & Shuffle)
Display	Adjust time for display to go dark and contrast level
Auto shutdown	Set time for switching off hdd automatically to save battery power
Language	Set hdd display language
Information	Display hdd information
Restore settings	Restore hdd factory settings in case of trouble shooting

8

INSTRUCTION FOR USE

Radio mode: Automatic tuning

(for radio models only)

- ① Press **SOURCE** and select **Radio** to enter the radio mode.
Any music playback will stop as you enter the radio mode.
- ② Press **SOURCE** and select **Autosearching** to automatically select the 10 strongest radio stations. Press any key to abort.
- ③ Press **▲** to scroll up or **▼** to scroll down for your preset.
- ④ Highlight your preset and wait for 2 seconds.
You can now listen to the selected preset.

Radio mode: Manual tuning

(for radio models only)

- ① Press **SOURCE** and select **Radio** to enter the radio mode.
Any music playback will stop as you enter the radio mode.
- ② Press **▲** to scroll up or **▼** to scroll down for your preset.
- ③ Press **MENU/HOLD** and select **Manual tuning**.
- ④ Press **▼** or **▲** to fine tune (tune step by step).
Wait for 2 seconds to abort, or press **◀** to save your preset.

9

Using hdd as an external hard disk

hdd can be used as an external hard disk for storage and transfer of any data files. Note that music files transferred from the PC to hdd via Windows Explorer will not be able to play on hdd. Please always use by-packed music software for music transfer.



TIP

- During USB connection, we recommend that you always use the supplied power adapter to avoid loss of data.
- Always remove USB connection safely (see Step 5, page 3).

Environmental information

All redundant packaging has been omitted. We have done our utmost to make the packaging easily separable into four materials: cardboard, polystyrene foam, PET and polyethylene.

Your set consists of materials which can be recycled if disassembled by a specialized company. Please observe the local regulations regarding the disposal of packaging, exhausted batteries and old equipment.

INSTRUCTION FOR USE

Troubleshooting

If a fault occurs, first check the points listed in the following pages. For further help and other troubleshooting tips, please also check out hdd FAQ at www.philips.com/support. If you are unable to find a solution by following these hints, consult your dealer or service center.

WARNING:

Do not open the set as there is a risk of electric shock! Under no circumstances should you try to repair the set yourself, as this will invalidate the warranty.

Q. My hdd does not respond.

Press and hold ▲ + [VOLUME +] to reset. File contents e.g. your songs or downloaded files on your hdd is not affected when resetting in this way.

Q. My hdd has short playback time.

Over time, the internal rechargeable battery will become weaker. It is replaceable. Please contact your nearest Philips Service Center for a battery replacement.

Q. My hdd shows this [file error] icon.

You have a file error: system files may be missing or there is a format error on hdd. To remedy, please connect hdd to your PC and to the main power supply and start DMM. The database will be recreated automatically.



Q. My hdd shows this [disk error] icon.

You have a serious error with your hdd, possibly caused by a faulty hard disk drive. Please consult your dealer or service center.



Q. How do I know which firmware version I have?

Scroll for Menu →Settings →Information to display "FW vers:".

Q. How do I know how much free space I have?

Scroll for Menu →Settings →Information to display "Free:". Otherwise, you can check this with DMM from the status bar.

11

Safety and maintenance

To get the most from your product, please also refer to the **Safety & Warranty** booklet supplied with this device for important safety instructions.

About operating and storage temperatures

- Operate hdd in a place where the temperature is always between 0 and 35° C (32 to 95° F).
- Store hdd in a place where the temperature is always between -20 and 45° C (-4 to 113° F).
- Battery life of hdd may shorten in low temperature conditions.
- **Do not expose to excessive heat** caused by heating equipment or direct sunlight.
- When you are using hdd, connecting it to your PC or charging the battery, it is normal for hdd to become warm. The rear panel case functions as a cooling surface that transfers heat from inside the unit to the cooler air outside.
- hdd is not recommended for using during vigorous exercising, hdd is **not shock-proof** and may be damaged when subjected to excessive vibrations.

Using your headphones

- **Hearing safety**
Listen at a moderate volume. Using headphones at high volume can impair your hearing.
- **Traffic safety**
Do not use while driving or cycling as you may cause an accident.
- **Optimizing playback performance**
We recommend to only use PHILIPS headphones for hdd. Music volume and / or quality is not guaranteed for other non-PHILIPS headphones.

12

INSTRUCTION FOR USE

Avoiding damage or malfunction

- **Backup your files.** Please ensure that you retain the original files that you have down loaded to hdd, Philips is not responsible for any loss of content if the product becomes damaged or the hard disk not readable / legible.
- Manage (transfer, delete, etc.) your files only through by-packed music software to avoid problems!
- **Do not drop** hdd or allow objects to fall on hdd.
- **Do not allow** hdd to be submersed in **water**. Do not expose connection jacks to water as water entering the set may cause major damage.
- Clean hdd with a slightly damp cloth. Don't use any cleaning agents containing alcohol, ammonia, benzene or abrasives as these may harm the finishing on hdd.
- Active mobile phones in the vicinity may cause interference to the device.

Using the power adapter / charger

- Use only the power adapter that came with hdd. Adapters for other electronic devices may look similar, but they may damage hdd.
- The only way to shut off power completely to your power adapter/charger is to disconnect it from the power source.
- Always leave space around your power adapter. Do not use this equipment in a location where airflow around the power adapter is confined, such as a bookcase.
- When connecting or disconnecting your power adapter, always hold the power adapter by its sides. Keep fingers away from the metal part of the plug.
- The power adapter for hdd is a high-voltage component and should not be opened for any reason, even when hdd is off.

13

Technical Specifications

System	
Output power	2 x 5mW (16 Ω)
Frequency response	20-20,000 Hz
THD	0,01%- 0,1%
Equalizer	5-band DSP controlled
USB Connection	USB2.0 full speed
Display	Black / White 128 x 96 pixels
Backlight	White LED
Battery	Replaceable (by Philips service) 750mAh Li-Ion
Lens	hardened optical glass
Encasing	Die-cast molded magnesium
Connections	Stereo headphone, Mini USB (B-type), DC charger input
Storage	Hard disk 1.0" micro HDD
Supported playback format	
MP3	8- 320 Kbps and VBR
WMA	32- 192 Kbps
Sample rates	8, 11,025, 16, 22,050, 32, 44,1, 48
ID3-tag support	Yes
PC Connectivity	USB2.0 full speed
File Transfer	via Windows Explorer of data in general
Music Transfer	via DMM / by-packed music software for music playback

14

INSTRUCTION FOR USE

Power supply

Built-in 750 mAh Lithium Ion (Li-Ion) rechargeable battery, replaceable by a Philips Service Center
Multi-voltage AC adapter/charger AY3192

Battery playtime

10 hours using built-in rechargeable battery (4 hours fully charged, fast charge: 1 hour)
Battery life may vary according to use.

Power Consumption

Shutdown: less than 1,3 mW
Average operational (USB mode): 1,45W
Average operational (play mode): 250mW

* It is not advised to run hdd on battery power during USB connection

Tuner Frequency range FM 87,5 - 108 MHz, 10 stations presets
(for radio models only)

General

Dimensions 54,3 (W) × 84,5 (L) × 18,3 (H) mm
2,2 (W) × 3,4 (L) × 0,7 (H) inch
Weight 93g (3.3oz)

PHILIPS reserves the right to make design and specification changes for product improvement without prior notice.

Modifications not authorized by the manufacturer may void users authority to operate this device.

All trademarks and registered trademarks are the property of their respective owners.

All rights reserved.

15

Copyright information

- Unauthorized duplication and distribution of Internet/CD recordings violate copyright law and international treaties. You should use hdd and **PHILIPS Digital Media Manager (DMM)** software for personal use only.
- In the U.K and certain countries, the copying of material protected by copyright may require the permission of the copyright holders.

Notice for the USA



Note:

This equipment has been tested and found to comply with the limits for a **Class B** digital device, pursuant to **part 15** of the **FCC Rules**. These limits are designed to provide reasonable protection against harmful interference in a residential installation. This equipment generates, uses, and can radiate radio frequency energy and, if not installed and used in accordance with the instruction manual, may cause harmful interference to radio communications.

However, there is no guarantee that interference will not occur in a particular installation. If this equipment does cause harmful interference to radio or television reception, which can be determined by turning the equipment off and on, the user is encouraged to try to correct the interference by one or more of the following measures:

- Relocate the receiving antenna.
- Increase the separation between the equipment and receiver.
- Connect the equipment into an outlet on a circuit different from that to which the receiver is connected.
- Consult the dealer or an experienced radio/ TV technician for help.

Notice for Canada:

This Class B digital apparatus complies with Canadian ICES-003.

This product complies with the radio interference requirements of the European Union.

16

MECHANICAL INSTRUCTION

Set Disassembly

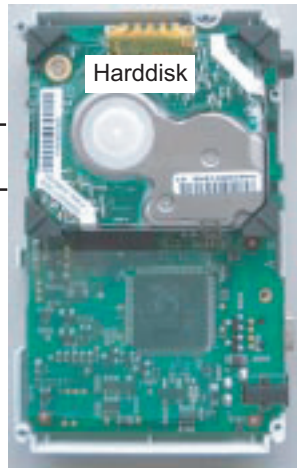
1 - Remove 2 x screw. See arrows
2 - Remove CAP right and left



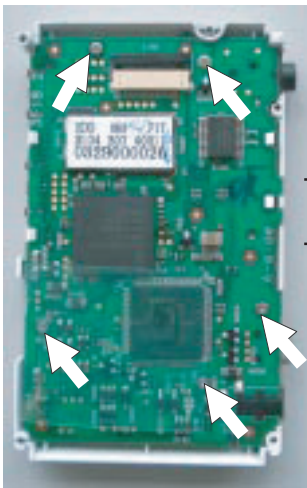
3 - Remove 4 x screw. See arrows
4 - Remove bottompart.



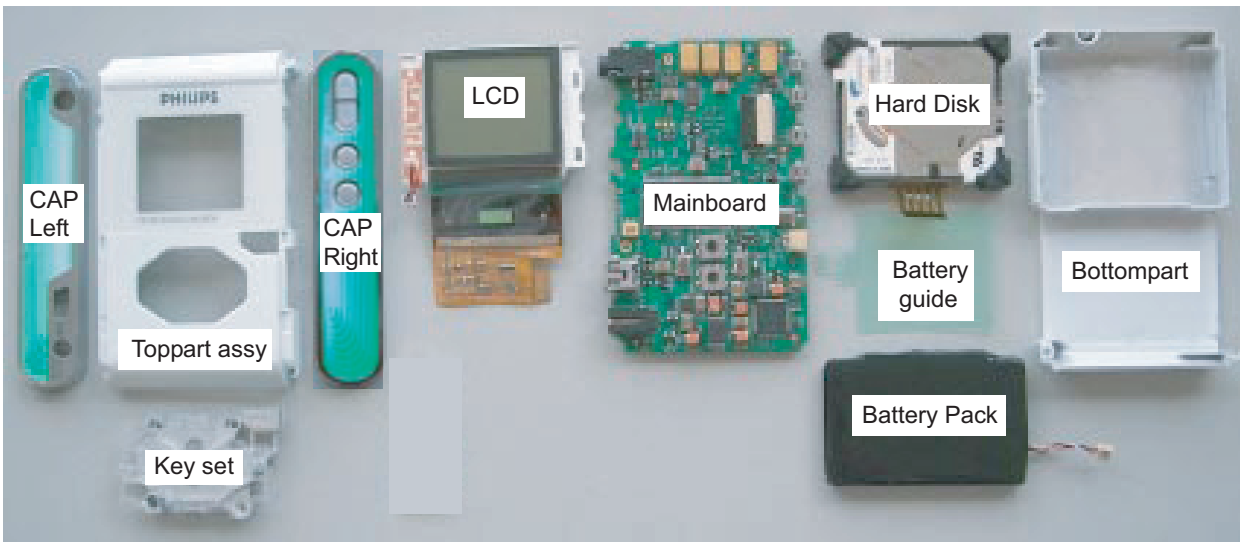
5 - Remove Harddisk



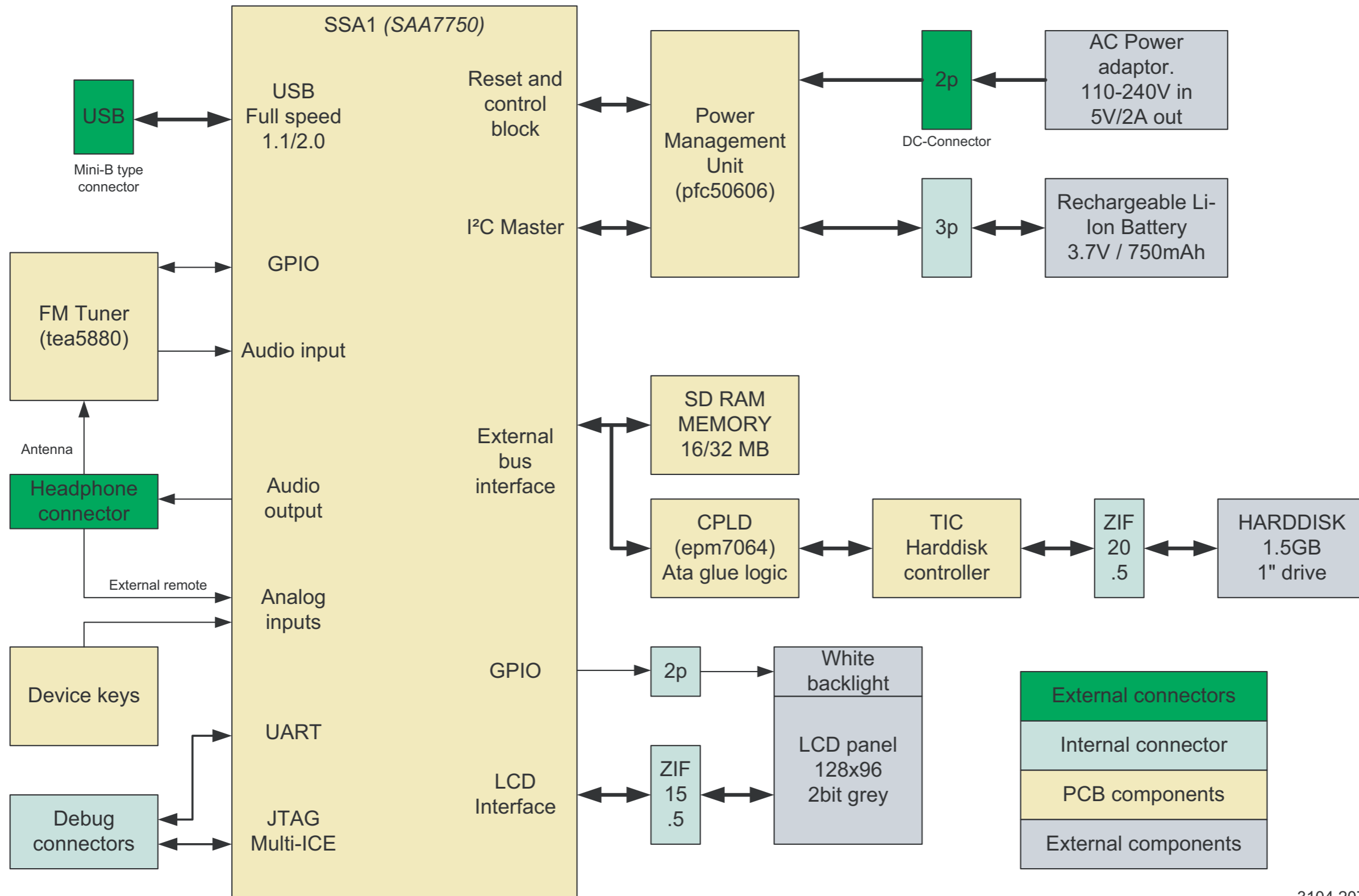
6 - Remove 5 x screw. See arrows



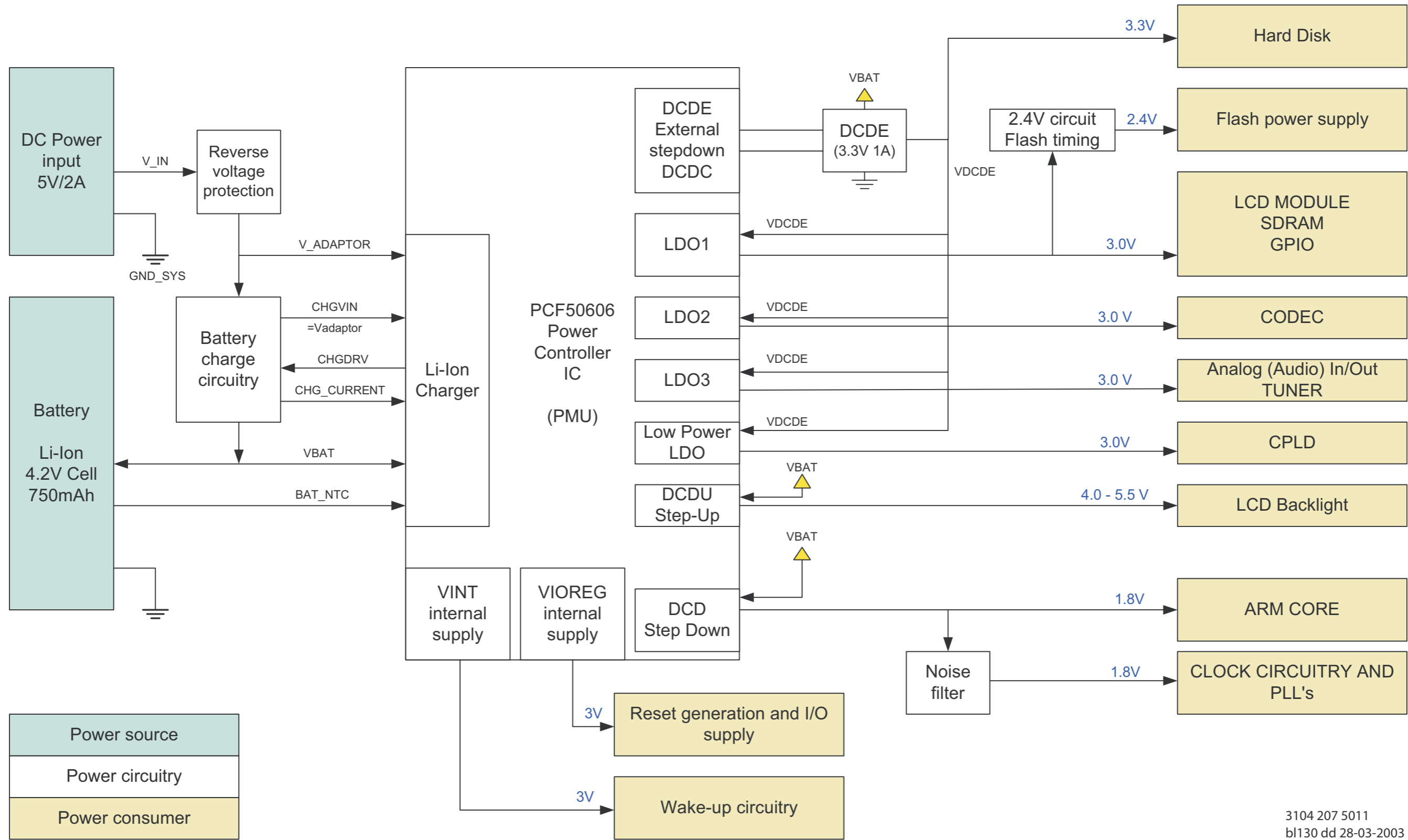
Overview disassembly parts



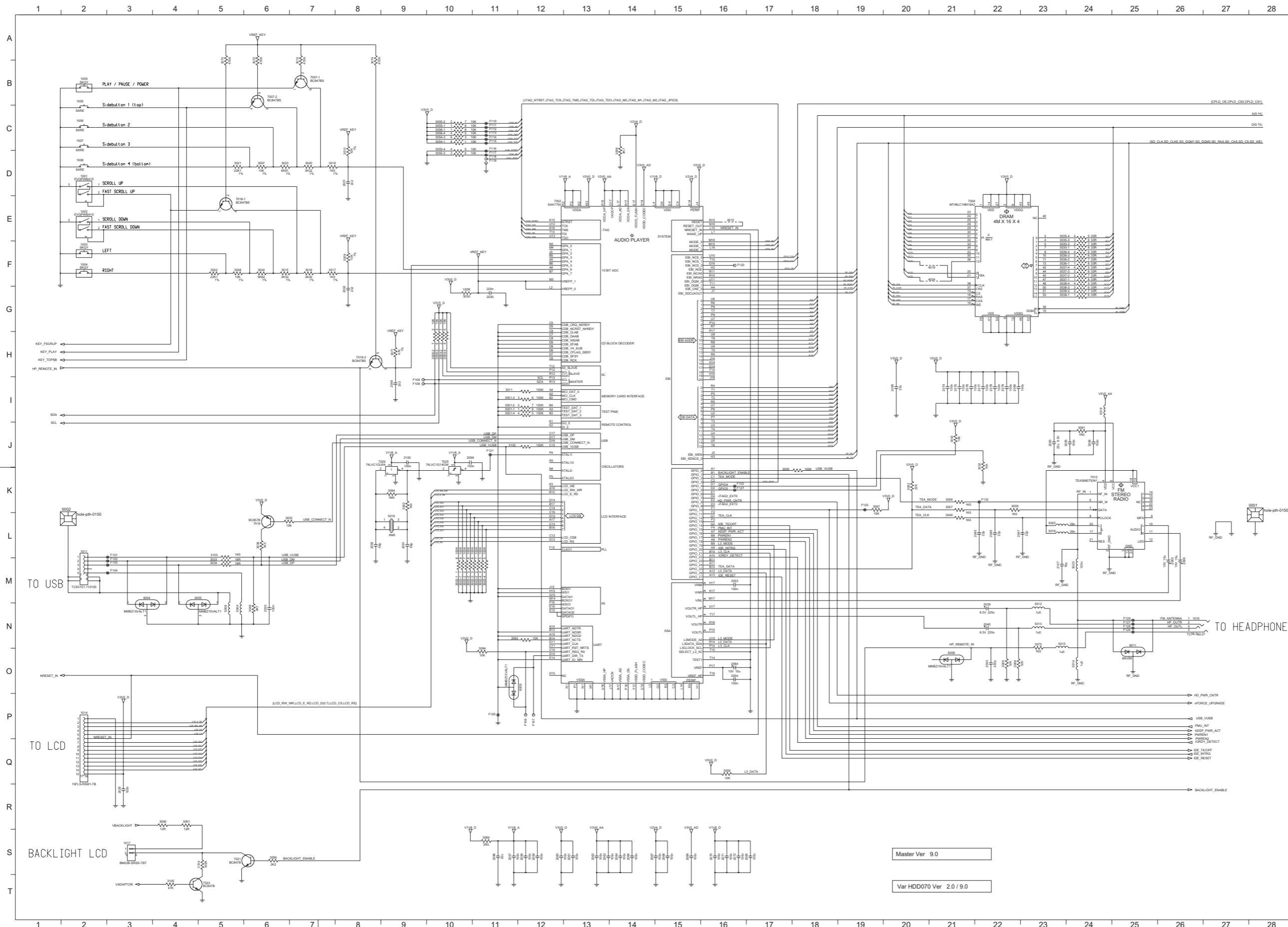
BLOCK DIAGRAM



BLOCK DIAGRAM - VOLTAGE



CIRCUIT DIAGRAM

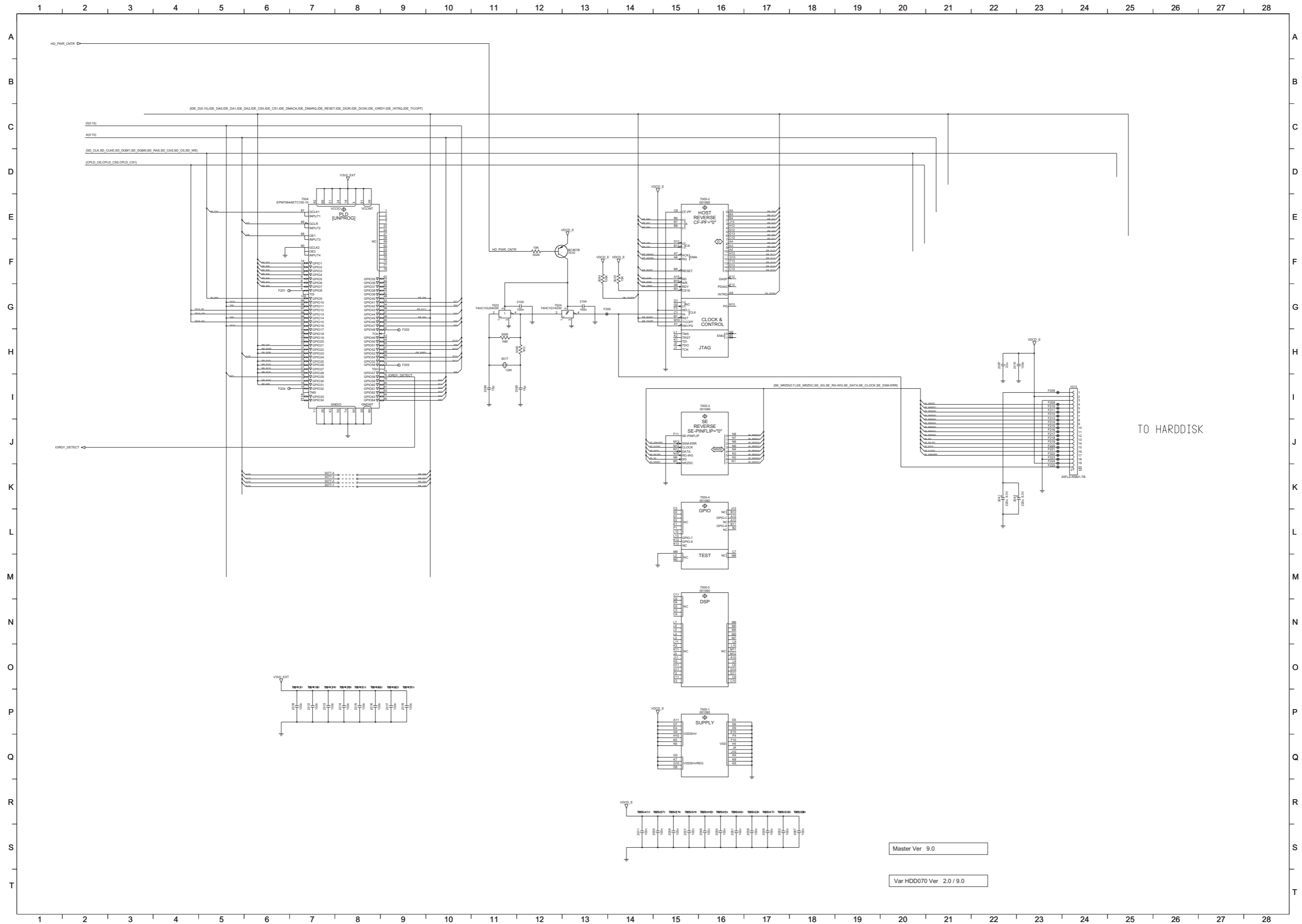


- 0001 J23 F181 K3
- 0002 J2 F182 K3
- 1000 J2 F183 K3
- 1002 D2 F184 K3
- 1005 E2 F185 C10
- 1004 E2 F186 N10
- 1006 B2 F187 N10
- 1006 C2 F188 H8
- 1007 C2 F189 G8
- 1008 C2 F110 C10
- 1009 E2 F111 C10
- 1010 L22 F112 C10
- 1011 K2 F113 C10
- 1014 L21 F114 C10
- 1017 P3 F115 C10
- 1005 D1 F117 C10
- 2022 C3 F118 C10
- 2030 F10 F119 C10
- 2030 L6 F120 E14
- 2030 L19 F121 H6
- 2040 L19 F122 H4
- 2044 M19 F123 H4
- 2046 J19 F125 J16
- 2046 J19 F126 L21
- 2047 J19 F127 L21
- 2048 G19 F128 L21
- 2053 K14 F129 L21
- 2054 M14 F132 J19
- 2055 I20 F132 J19
- 2056 I21 F134 J19
- 2057 P10
- 2058 P10
- 2059 P10
- 2060 P11
- 2061 P11
- 2062 P12
- 2063 P12
- 2064 P12
- 2065 P13
- 2066 P13
- 2067 P13
- 2068 P13
- 2069 P13
- 2070 P14
- 2071 P14
- 2072 P14
- 2073 H18
- 2074 H18
- 2075 H19
- 2076 H19
- 2077 H19
- 2078 H19
- 2079 H19
- 2080 H19
- 2081 I20
- 2082 J22
- 2083 J22
- 2084 J22
- 2085 H17
- 2086 P10
- 2087 I8
- 2088 I8
- 2089 I8
- 2090 I8
- 2091 K20
- 3001-1 H10
- 3002-2 H10
- 3003-3 H10
- 3004-4 H10
- 3005-1 E20
- 3006-2 K3
- 3007-3 K3
- 3008-4 K3
- 3009-1 K3
- 3010-2 K3
- 3011-3 K3
- 3012-4 K10
- 3013 H15
- 3014 D14
- 3015 C7
- 3016 H9
- 3017 B6
- 3018 E6
- 3019 E7
- 3020 D6
- 3021 E2
- 3022 E8
- 3023 D6
- 3024 E6
- 3025 F8
- 3026 H19
- 3027 K3
- 3028 K3
- 3029-2 E20
- 3030-3 E20
- 3031-4 E20
- 3032-1 E20
- 3033-2 E20
- 3034-3 E20
- 3035-4 E20
- 3036-1 F20
- 3037-2 F20
- 3038-3 F20
- 3039-4 F20
- 3040-1 F20
- 3041-2 F20
- 3042 H18
- 3043 J18
- 3044 J18
- 3045-1 C9
- 3046-2 C9
- 3047-3 C9
- 3048-4 C9
- 3049-1 C9
- 3050-2 C9
- 3051-3 C9
- 3052-4 C9
- 3053-1 C9
- 3054-2 C9
- 3055-3 C9
- 3056-4 C9
- 3057-1 C9
- 3058-2 C9
- 3059-3 C9
- 3060-4 C9
- 3061-1 C9
- 3062-2 C9
- 3063-3 C9
- 3064-4 C9
- 3065-1 C9
- 3066-2 C9
- 3067-3 C9
- 3068-4 C9
- 3069 J18
- 3070 H20
- 3071 H20
- 3072 I17
- 3073 L10
- 3074 L10
- 3075 L20
- 3076 P10
- 3077 G8
- 3078 B8
- 3079 B8
- 3080 O4
- 3081 O4
- 3082 J8
- 3083 J8
- 3084 I8
- 3085 P8
- 3086 P8
- 3087 C12
- 3088 C12
- 3089 J18
- 3090 H10
- 3091 H10
- 3092 H10
- 3093 H10
- 3094 H10
- 3095 H10
- 3096 H10
- 3097 H10
- 3098 H10
- 3099 H10
- 3100 H10
- 3101 H10
- 3102 H10
- 3103 H10
- 3104 H10
- 3105 H10
- 3106 H10
- 3107 H10
- 3108 H10
- 3109 H10
- 3110 H10
- 3111 H10
- 3112 H10
- 3113 H10
- 3114 H10
- 3115 H10
- 3116 H10
- 3117 H10
- 3118 H10
- 3119 H10
- 3120 H10
- 3121 H10
- 3122 H10
- 3123 H10
- 3124 H10
- 3125 H10
- 3126 H10
- 3127 H10
- 3128 H10
- 3129 H10
- 3130 H10
- 3131 H10
- 3132 H10
- 3133 H10
- 3134 H10
- 3135 H10
- 3136 H10
- 3137 H10
- 3138 H10
- 3139 H10
- 3140 H10
- 3141 H10
- 3142 H10
- 3143 H10
- 3144 H10
- 3145 H10
- 3146 H10
- 3147 H10
- 3148 H10
- 3149 H10
- 3150 H10
- 3151 H10
- 3152 H10
- 3153 H10
- 3154 H10
- 3155 H10
- 3156 H10
- 3157 H10
- 3158 H10
- 3159 H10
- 3160 H10
- 3161 H10
- 3162 H10
- 3163 H10
- 3164 H10
- 3165 H10
- 3166 H10
- 3167 H10
- 3168 H10
- 3169 H10
- 3170 H10
- 3171 H10
- 3172 H10
- 3173 H10
- 3174 H10
- 3175 H10
- 3176 H10
- 3177 H10
- 3178 H10
- 3179 H10
- 3180 H10
- 3181 H10
- 3182 H10
- 3183 H10
- 3184 H10
- 3185 H10
- 3186 H10
- 3187 H10
- 3188 H10
- 3189 H10
- 3190 H10
- 3191 H10
- 3192 H10
- 3193 H10
- 3194 H10
- 3195 H10
- 3196 H10
- 3197 H10
- 3198 H10
- 3199 H10
- 3200 H10

Master Ver 9.0

Var HDD070 Ver 2.0 / 9.0

CIRCUIT DIAGRAM

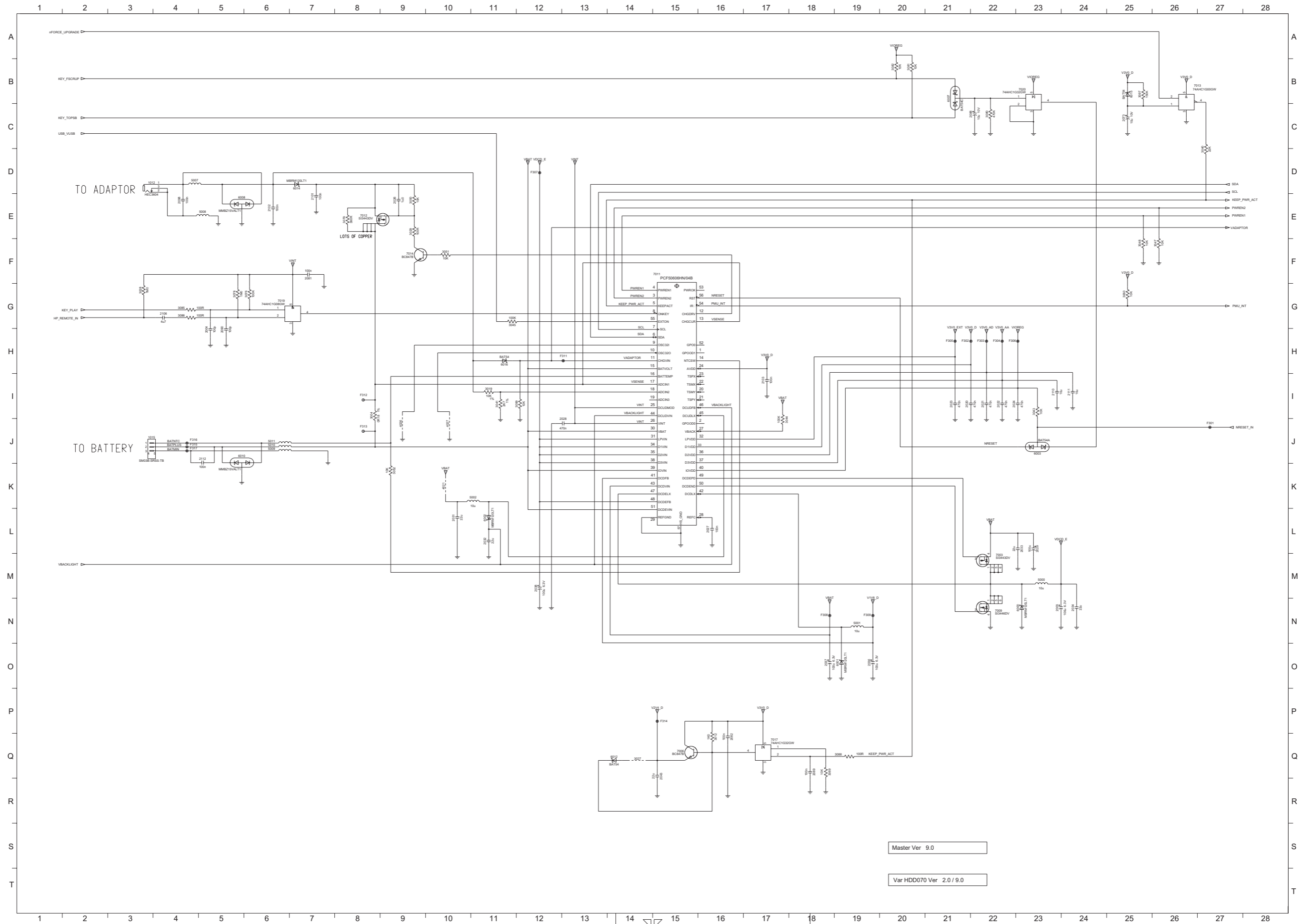


- 1013 H20
- 2005 P13
- 2006 P13
- 2007 P13
- 2008 P14
- 2009 P15
- 2010 G19
- 2011 P12
- 2012 M6
- 2013 M7
- 2014 M7
- 2015 M7
- 2016 M7
- 2017 M8
- 2018 M8
- 2019 M8
- 2041 J19
- 2042 J19
- 2049 P14
- 2050 P14
- 2051 P14
- 2052 P15
- 2087 P15
- 2093 H10
- 2094 H10
- 2097 G19
- 2104 F11
- 2105 F10
- 2106 D22
- 2108 D22
- 3025 F12
- 3026 E11
- 3077-1 I7
- 3077-2 I7
- 3077-3 I7
- 3077-4 I7
- 3083 B19
- 3084 F12
- 3085 G19
- 3095 G19
- 4011-1 K7
- 4011-2 K7
- 4011-3 K7
- 4011-4 K7
- 4012-1 J7
- 4012-2 J7
- 4012-3 J7
- 4012-4 K7
- 4013-1 J7
- 4013-2 J7
- 4013-3 J7
- 4013-4 J7
- 4014-1 K7
- 4014-2 K7
- 4014-3 K7
- 4014-4 K7
- 4025 C20
- 5017 G10
- 7054 D6
- 7055-1 M14
- 7055-2 D14
- 7055-3 M14
- 7055-4 J14
- 7055-5 M14
- 7010 E11
- 7023 F10
- 7024 F11
- 7027 D19
- 7028 D20
- F201 F6
- F202 G8
- F203 G8
- F204 H6
- F205 F12
- F206 H20
- F209 H20
- F210 H20
- F211 H20
- F212 H20
- F213 H20
- F214 H20
- F215 H20
- F216 H20
- F217 H20
- F218 I20
- F219 I20
- F220 I20
- F221 I20
- F222 I20
- F223 I20
- F224 I20
- F225 I20

Master Ver 9.0

Var HDD070 Ver 2.0 / 9.0

CIRCUIT DIAGRAM

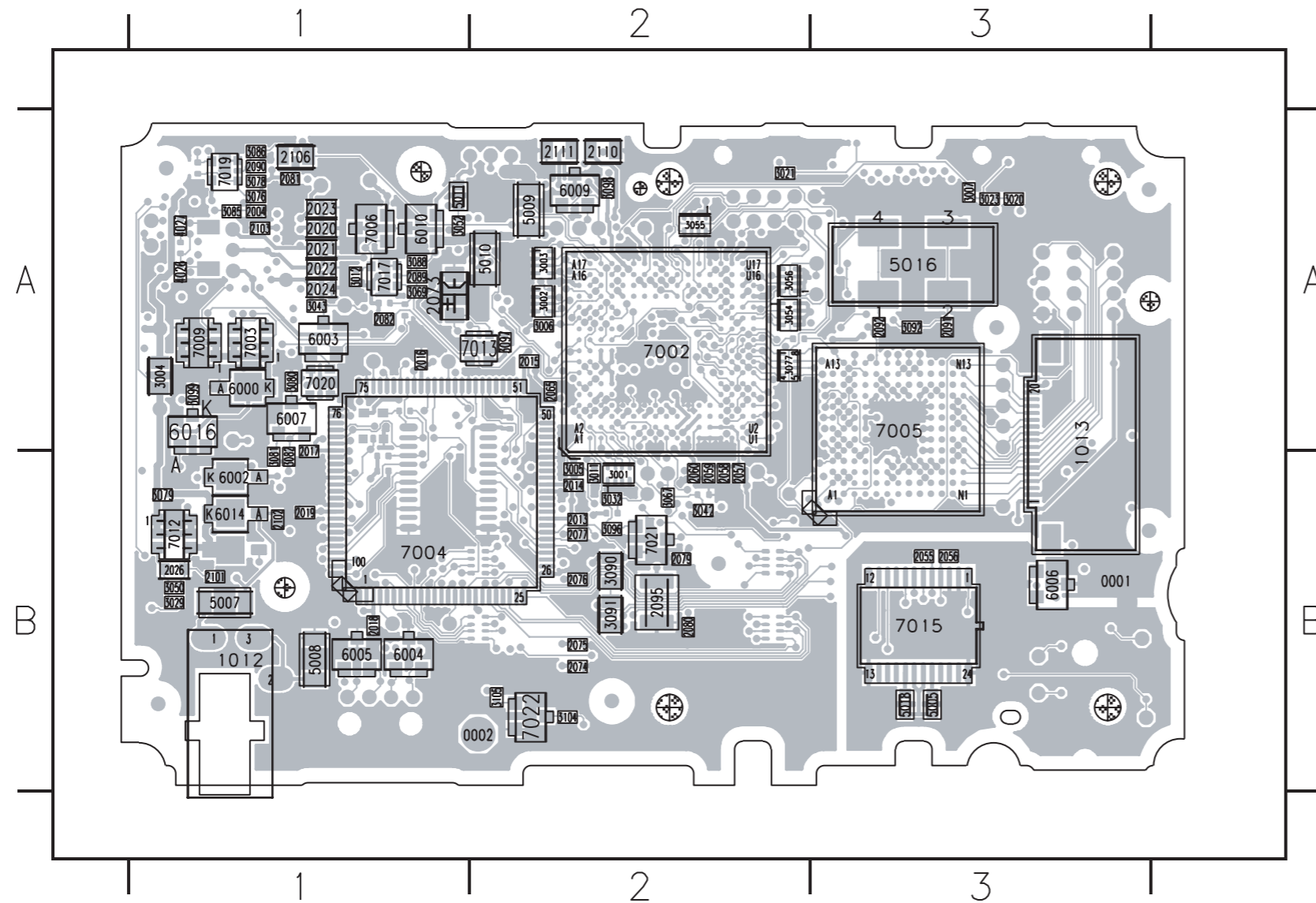


- 1013 D4
- 1015 I4
- 2003 L20
- 2004 G5
- 2020 H16
- 2021 H18
- 2022 H19
- 2023 H18
- 2024 H19
- 2026 D8
- 2027 J4
- 2028 H11
- 2029 K20
- 2031 J9
- 2032 J10
- 2033 K19
- 2034 L20
- 2036 M17
- 2037 M16
- 2038 K11
- 2043 O13
- 2071 C21
- 2081 F6
- 2082 N14
- 2088 C18
- 2089 O16
- 2090 G5
- 2098 D4
- 2101 D6
- 2102 D6
- 2103 G15
- 2108 F4
- 2110 H20
- 2111 H20
- 2112 I4
- 2113 H9
- 2114 H6
- 2004 H8
- 2012 H10
- 2014 I7
- 2019 H10
- 2020 H10
- 2028 F3
- 2029 E8
- 2040 C23
- 2041 H18
- 2043 H20
- 2044 H15
- 2045 F16
- 2047 E22
- 2048 E22
- 2050 D8
- 2051 E9
- 2052 B
- 2060 F21
- 2068 O16
- 2070 F5
- 2078 F5
- 2079 E7
- 2080 C19
- 2081 B17
- 2085 F4
- 2088 F4
- 2087 N16
- 2088 N16
- 2092 B22
- 2099 H10
- 2101 H9
- 4021 B9
- 4022 B9
- 4023 G6
- 4026 H8
- 4027 H8
- 5000 K20
- 5001 L16
- 5002 J9
- 5007 D4
- 5008 D4
- 5009 H6
- 5010 H6
- 5011 H6
- 5021 H6
- 6001 M16
- 6002 F16
- 6003 J20
- 6007 D18
- 6008 D5
- 6010 I5
- 6011 B12
- 6013 C8
- 6014 D6
- 6015 B21
- 6016 G10
- 7003 K19
- 7006 N13
- 7008 L18
- 7011 F13
- 7012 D7
- 7013 B23
- 7014 E8
- 7017 N15
- 7019 F6
- 7020 B16
- F301 H23
- F302 G18
- F303 G19
- F304 G19
- F305 G18
- F306 G19
- F307 D18
- F308 L16
- F309 L17
- F311 G11
- F312 H7
- F313 H7
- F314 N13
- F315 I4
- F316 I4
- F317 I4

Master Ver 9.0

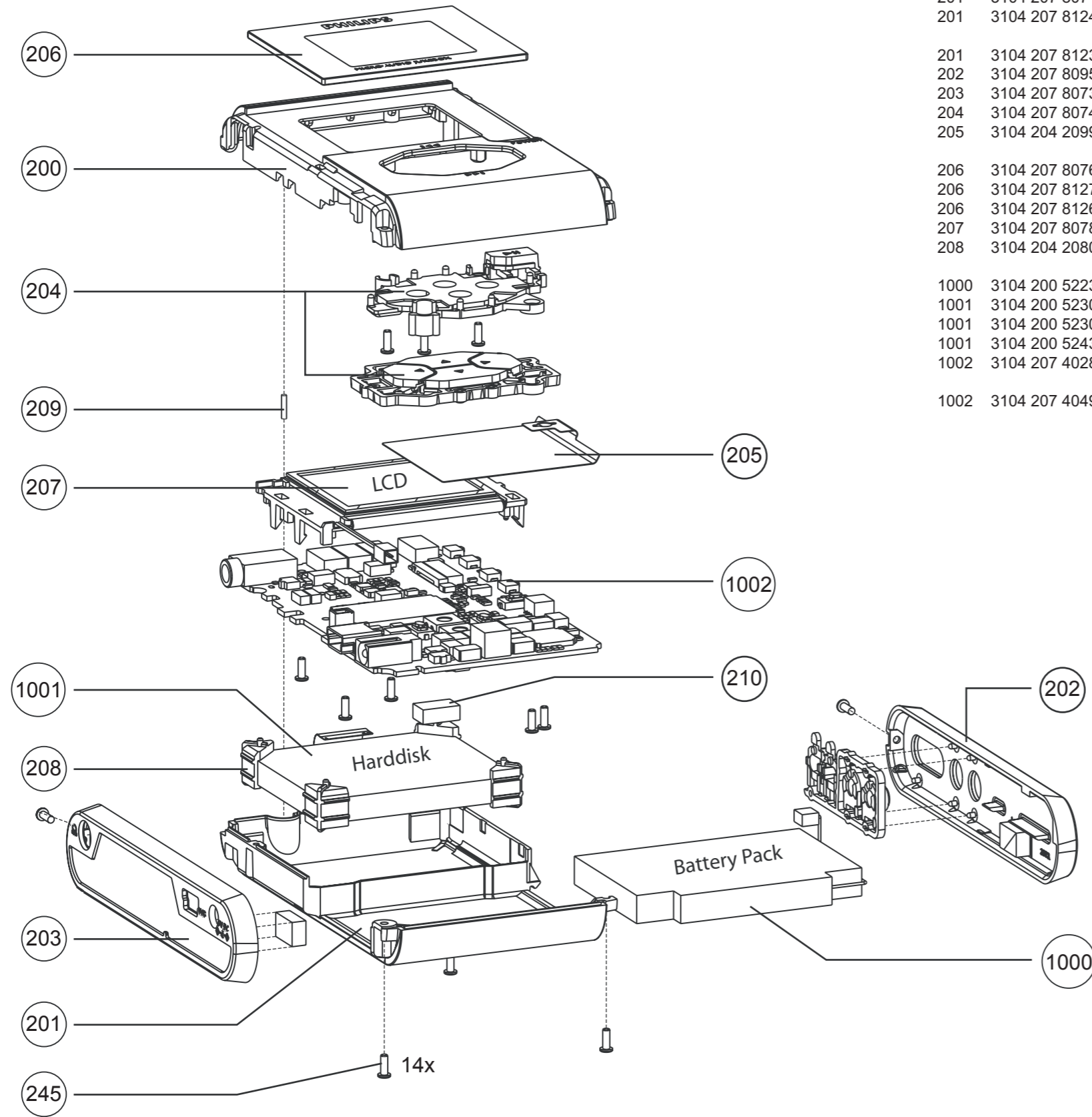
Var HDD070 Ver 2.0/9.0

COMPONENT LAYOUT - A side view



1013	A3	2113	A1	3097	A2	7015	B3
2004	A1	2114	A1	3098	A2	7017	A1
2013	B2	3001	B2	3099	A1	7019	A1
2014	B2	3002	A2	3101	A1	7020	A1
2015	A2	3003	A2	3104	B2	7021	B2
2016	A1	3004	A1	3105	B2	7022	B2
2017	B1	3005	B2	4011	B2	7027	B1
2018	B1	3006	A2	4012	B2	7028	A1
2019	B1	3007	A3	4013	B2		
2020	A1	3011	B2	4014	B2		
2021	A1	3012	A1	4018	A2		
2022	A1	3020	A3	4023	A1		
2023	A1	3021	A2	4025	A1		
2024	A1	3023	A3	4026	A1		
2026	B1	3029	B1	4027	A1		
2055	B3	3031	B2	5005	B3		
2056	B3	3032	B2	5007	B1		
2057	B2	3042	B2	5008	B1		
2058	B2	3043	A1	5009	A2		
2059	B2	3050	B1	5010	A2		
2060	B2	3052	A1	5011	A1		
2065	A2	3054	A2	5016	A3		
2073	A1	3055	A2	5018	B3		
2074	B2	3056	A2	5021	A1		
2075	B2	3067	B2	6000	A1		
2076	B2	3068	B2	6002	B1		
2077	B2	3069	A1	6003	A1		
2079	B2	3070	A1	6004	B1		
2080	B2	3076	A1	6005	B1		
2081	A1	3077	A2	6006	B3		
2082	A1	3078	A1	6007	A1		
2089	A1	3079	B1	6009	A2		
2090	A1	3080	A1	6010	A1		
2091	A3	3081	B1	6013	B1		
2092	A3	3082	B1	6014	B1		
2095	B2	3083	B1	6016	A1		
2101	B1	3085	A1	7002	A2		
2102	B1	3086	A1	7003	A1		
2103	A1	3087	A1	7004	B1		
2106	A1	3088	A1	7005	A3		
2108	A2	3090	B2	7006	A1		
2109	B1	3091	B2	7009	A1		
2110	A2	3092	A3	7012	B1		
2111	A2	3096	B2	7013	A2		

EXPLODED VIEW



MECHANICAL PARTS

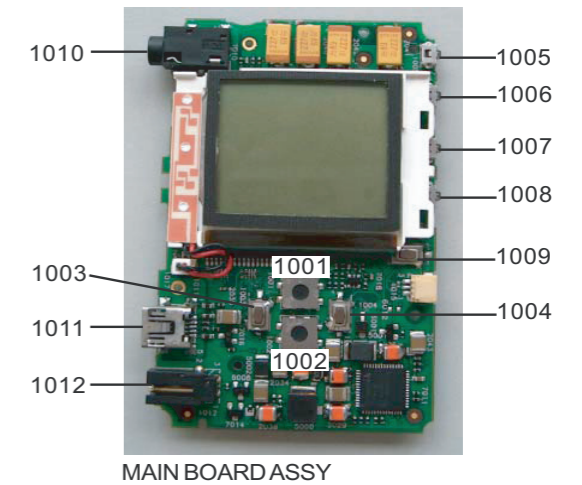
200	3104 207 80703	TOPPART ASSY (HDD070)
200	3104 207 81212	TOPPART ASSY C (HDD065)
200	3104 207 81202	TOPPART ASSY B (HDD050)
201	3104 207 80712	BOTTOMPART ASSY (HDD070)
201	3104 207 81242	BOTTOMPART ASSY C (HDD065)
201	3104 207 81232	BOTTOMPART ASSY B (HDD050)
202	3104 207 80954	HDD060 ASSY CAP RIGHT
203	3104 207 80734	CAP LEFT ASSY HDD060
204	3104 207 80744	KEYSET FRONT ASSY
205	3104 204 20991	HDD060/00 BATTERY GUIDE
206	3104 207 80762	WINDOW ASSY (HDD070)
206	3104 207 81272	WINDOW ASSY C (HDD065)
206	3104 207 81262	WINDOW ASSY B (HDD050)
207	3104 207 80782	LCD MODULE HDD060
208	3104 204 20802	HD SNUGGGER HDD060
1000	3104 200 52233	BATTERY PACK HDD060
1001	3104 200 52301	HARD DISK 2 GB (HDD070)
1001	3104 200 52301	HARD DISK 2 GB (HDD065)
1001	3104 200 52431	HARD DISK 1 GB (HDD050)
1002	3104 207 40282	PWB ASSY (HDD070)
1002	3104 207 40491	PWB ASSY (HDD065, HDD050)

ACCESSORIES

250	3104 209 10191	CD ROM ASSY HDD070/00
252	9082 100 02543	HEADPHONE HE570/77T
253	3140 118 33802	AC/DC ADAPTOR AY3192/00
253	3140 118 33811	AC/DC ADAPTOR AY3192/05
253	3140 118 33821	AC/DC ADAPTOR AY3192/17
253	3140 178 30061	AC/DC ADAPTOR AY3192/10
255	3140 117 69601	USB CABLE ASSY
256	3104 200 05631	NECKSTRAP HDD060
265	3104 200 52381	POUCH HDD070

ELECTRICAL PARTS

1001	2422 128 03084	SWI TACT 1P 2POS 15V V
1002	2422 128 03084	SWI TACT 1P 2POS 15V V
1003	2422 128 03083	SWI TACT 1P 1POS 12V V
1004	2422 128 03083	SWI TACT 1P 1POS 12V V
1005	2422 128 03082	SWI TACT 1P 1POS 12V H
1006	2422 128 03082	SWI TACT 1P 1POS 12V H
1007	2422 128 03082	SWI TACT 1P 1POS 12V H
1008	2422 128 03082	SWI TACT 1P 1POS 12V H
1009	2422 128 03083	SWI TACT 1P 1POS 12V V
1010	2422 026 05331	SOC PHONE H 1P F 3.5 ST
1011	2422 025 17684	SOC USB H 5P F SM
1012	2422 030 00394	SOC SUPP H 1P M DC 1.65MM



AC/DC ADAPTOR



NECKSTRAP



USB CABLE



HEADPHONE

ELECTRICAL PARTSLIST - MAIN BOARD

(For reference only)

- MISCELLANEOUS -

1001	2422 128 03084	SWI TACT 1P 2POS 15V V
1002	2422 128 03084	SWI TACT 1P 2POS 15V V
1003	2422 128 03083	SWI TACT 1P 1POS 12V V
1004	2422 128 03083	SWI TACT 1P 1POS 12V V
1005	2422 128 03082	SWI TACT 1P 1POS 12V H
1006	2422 128 03082	SWI TACT 1P 1POS 12V H
1007	2422 128 03082	SWI TACT 1P 1POS 12V H
1008	2422 128 03082	SWI TACT 1P 1POS 12V H
1009	2422 128 03083	SWI TACT 1P 1POS 12V V
1010	2422 026 05331	SOC PHONE H 1P F 3.5 ST
1011	2422 025 17684	SOC USB H 5P F SM
1012	2422 030 00394	SOC SUPP H 1P M DC 1.65MM
1013	2422 025 18201	CON H 20P F 0.50 SM
1014	2422 025 18199	CON H 15P F 0.50 SM
1015	2422 025 17614	CON H 3P M 1.00 SM
1017	2422 025 17887	CON V 2P M 1.00 SM

- CAPACITORS -

2001	3198 035 02220	CER2 0402 X7R 50V 2N2 PM10
2002	3198 035 02220	CER2 0402 X7R 50V 2N2 PM10
2003	2022 030 00069	TANCAP SM 594D 6V3 100U PM20
2004	3198 034 01010	CER2 0402 NP0 50V 100P PM5
2005	3198 035 71040	CER2 0402 Y5V 16V 100N P8020
2006	3198 035 71040	CER2 0402 Y5V 16V 100N P8020
2007	3198 035 71040	CER2 0402 Y5V 16V 100N P8020
2008	3198 035 71040	CER2 0402 Y5V 16V 100N P8020
2009	3198 035 71040	CER2 0402 Y5V 16V 100N P8020
2010	3198 035 71040	CER2 0402 Y5V 16V 100N P8020
2011	3198 035 71040	CER2 0402 Y5V 16V 100N P8020
2012	3198 035 71040	CER2 0402 Y5V 16V 100N P8020
2013	3198 035 71040	CER2 0402 Y5V 16V 100N P8020
2014	3198 035 71040	CER2 0402 Y5V 16V 100N P8020
2015	3198 035 71040	CER2 0402 Y5V 16V 100N P8020
2016	3198 035 71040	CER2 0402 Y5V 16V 100N P8020
2017	3198 035 71040	CER2 0402 Y5V 16V 100N P8020
2018	3198 035 71040	CER2 0402 Y5V 16V 100N P8020
2019	3198 035 71040	CER2 0402 Y5V 16V 100N P8020
2020	3198 017 44740	CER2 0603 Y5V 10V 470N P8020
2021	3198 017 44740	CER2 0603 Y5V 10V 470N P8020
2022	3198 017 44740	CER2 0603 Y5V 10V 470N P8020
2023	3198 017 44740	CER2 0603 Y5V 10V 470N P8020
2024	3198 017 44740	CER2 0603 Y5V 10V 470N P8020
2025	3198 035 71040	CER2 0402 Y5V 16V 100N P8020
2026	2020 552 96807	CER2 0603 X5R 10V 1U PM10
2027	3198 035 71040	CER2 0402 Y5V 16V 100N P8020
2028	3198 017 44740	CER2 0603 Y5V 10V 470N P8020
2029	2022 030 00069	TANCAP SM 594D 6V3 100U PM20
2030	3198 017 42240	CER2 0603 Y5V 16V 220N PM10
2031	2020 552 96835	CER2 1210 X5R 6V3 22U PM10
2032	2020 552 96835	CER2 1210 X5R 6V3 22U PM10
2033	2020 552 96835	CER2 1210 X5R 6V3 22U PM10
2034	2020 552 96835	CER2 1210 X5R 6V3 22U PM10
2035	3198 035 71040	CER2 0402 Y5V 16V 100N P8020

- CAPACITORS -

2036	2022 030 00069	TANCAP SM 594D 6V3 100U PM20
2037	2022 030 00069	TANCAP SM 594D 6V3 100U PM20
2038	2022 030 00069	TANCAP SM 594D 6V3 100U PM20
2039	3198 032 28210	TANCAP SM 6V3 220U PM20
2040	3198 032 28210	TANCAP SM 6V3 220U PM20
2041	3198 032 28210	TANCAP SM 6V3 220U PM20
2042	3198 032 28210	TANCAP SM 6V3 220U PM20
2043	2020 552 96835	CER2 1210 X5R 6V3 22U PM10
2044	3198 035 02210	CER2 0402 X7R 50V 220P PM10
2045	2238 869 15229	CER2 0402 NP0 50V 22P PM5
2046	2238 869 15229	CER2 0402 NP0 50V 22P PM5
2047	2238 869 15229	CER2 0402 NP0 50V 22P PM5
2048	3198 035 02220	CER2 0402 X7R 50V 2N2 PM10
2049	3198 035 71040	CER2 0402 Y5V 16V 100N P8020
2050	3198 035 71040	CER2 0402 Y5V 16V 100N P8020
2051	3198 035 71040	CER2 0402 Y5V 16V 100N P8020
2052	3198 035 71040	CER2 0402 Y5V 16V 100N P8020
2053	3198 035 71040	CER2 0402 Y5V 16V 100N P8020
2054	3198 035 71040	CER2 0402 Y5V 16V 100N P8020
2055	3198 035 71040	CER2 0402 Y5V 16V 100N P8020
2056	3198 035 71040	CER2 0402 Y5V 16V 100N P8020
2057	3198 035 71040	CER2 0402 Y5V 16V 100N P8020
2058	3198 035 71040	CER2 0402 Y5V 16V 100N P8020
2059	3198 035 71040	CER2 0402 Y5V 16V 100N P8020
2060	3198 035 71040	CER2 0402 Y5V 16V 100N P8020
2061	3198 035 71040	CER2 0402 Y5V 16V 100N P8020
2062	3198 035 71040	CER2 0402 Y5V 16V 100N P8020
2063	3198 035 71040	CER2 0402 Y5V 16V 100N P8020
2064	3198 035 71040	CER2 0402 Y5V 16V 100N P8020
2065	3198 035 71040	CER2 0402 Y5V 16V 100N P8020
2066	3198 035 71040	CER2 0402 Y5V 16V 100N P8020
2067	3198 035 71040	CER2 0402 Y5V 16V 100N P8020
2068	3198 035 71040	CER2 0402 Y5V 16V 100N P8020
2069	3198 035 71040	CER2 0402 Y5V 16V 100N P8020
2070	3198 035 71040	CER2 0402 Y5V 16V 100N P8020
2071	3198 035 71040	CER2 0402 Y5V 16V 100N P8020
2072	3198 035 71040	CER2 0402 Y5V 16V 100N P8020
2073	3198 032 34130	TANCAP SM 10V 10U PM20
2074	3198 035 71040	CER2 0402 Y5V 16V 100N P8020
2075	3198 035 71040	CER2 0402 Y5V 16V 100N P8020
2076	3198 035 71040	CER2 0402 Y5V 16V 100N P8020
2077	3198 035 71040	CER2 0402 Y5V 16V 100N P8020
2078	3198 035 71040	CER2 0402 Y5V 16V 100N P8020
2079	3198 035 71040	CER2 0402 Y5V 16V 100N P8020
2080	3198 035 71040	CER2 0402 Y5V 16V 100N P8020
2081	3198 035 71040	CER2 0402 Y5V 16V 100N P8020
2082	3198 035 71040	CER2 0402 Y5V 16V 100N P8020
2083	2020 552 96835	CER2 1210 X5R 6V3 22U PM10
2084	3198 032 34130	TANCAP SM 10V 10U PM20
2085	3198 032 34130	TANCAP SM 10V 10U PM20
2086	3198 032 34130	TANCAP SM 10V 10U PM20
2087	3198 035 71040	CER2 0402 Y5V 16V 100N P8020
2088	3198 032 34130	TANCAP SM 10V 10U PM20
2089	3198 035 71040	CER2 0402 Y5V 16V 100N P8020
2090	3198 034 01010	CER2 0402 NP0 50V 100P PM5

ELECTRICAL PARTSLIST - MAIN BOARD

(For reference only)

- CAPACITORS -

2091	3198 034 05690	CER1 0402 NP0 50V 56P PM5
2092	3198 034 05690	CER1 0402 NP0 50V 56P PM5
2093	3198 034 01890	CER1 0402 NP0 50V 18P PM5
2094	3198 034 01890	CER1 0402 NP0 50V 18P PM5
2095	2020 552 96835	CER2 1210 X5R 6V3 22U PM10
2096	2020 552 96835	CER2 1210 X5R 6V3 22U PM10
2097	2020 552 96835	CER2 1210 X5R 6V3 22U PM10
2098	3198 035 71040	CER2 0402 Y5V 16V 100N P8020
2099	3198 035 71040	CER2 0402 Y5V 16V 100N P8020
2100	3198 035 71040	CER2 0402 Y5V 16V 100N P8020
2101	3198 035 71040	CER2 0402 Y5V 16V 100N P8020
2102	3198 035 71040	CER2 0402 Y5V 16V 100N P8020
2103	3198 035 71040	CER2 0402 Y5V 16V 100N P8020
2104	3198 035 71040	CER2 0402 Y5V 16V 100N P8020
2105	3198 035 71040	CER2 0402 Y5V 16V 100N P8020
2106	2020 552 96305	CER2 0805 Y5V 10V 4U7 P8020
2107	3198 034 01890	CER1 0402 NP0 50V 18P PM5
2110	2020 552 96637	CER2 0805 X5R 6V3 10U PM10
2111	2020 552 96637	CER2 0805 X5R 6V3 10U PM10
2112	3198 035 71040	CER2 0402 Y5V 16V 100N P8020

- RESISTORS -

3001	2350 033 10104	RST NETW SM 4X 100K PM5
3002	2350 033 10104	RST NETW SM 4X 100K PM5
3003	2350 033 10104	RST NETW SM 4X 100K PM5
3004	2350 511 17187	RST SM 0805 LRC12P 0R18
3005	3198 031 01040	RST SM 0402 100K PM5
3006	3198 031 01030	RST SM 0402 10K PM5
3007	2322 706 71003	RST SM 0402 RC32 10K PM1
3008	2322 706 71003	RST SM 0402 RC32 10K PM1
3009	2322 706 71003	RST SM 0402 RC32 10K PM1
3010	2322 706 71003	RST SM 0402 RC32 10K PM1
3011	3198 031 01040	RST SM 0402 100K PM5
3012	3198 031 01020	RST SM 0402 1K PM5
3013	3198 031 04740	RST SM 0402 470K PM5
3015	2322 706 73322	RST SM 0402 RC32 3K32 PM1
3016	2322 706 73322	RST SM 0402 RC32 3K32 PM1
3017	2322 706 71002	RST SM 0402 RC32 1K PM1
3018	2322 706 71002	RST SM 0402 RC32 1K PM1
3019	2322 706 71003	RST SM 0402 RC32 10K PM1
3020	2322 706 73322	RST SM 0402 RC32 3K32 PM1
3021	2322 706 72213	RST SM 0402 RC32 22K1 PM1
3022	2322 706 72213	RST SM 0402 RC32 22K1 PM1
3023	2322 706 76812	RST SM 0402 RC32 6K81 PM1
3024	2322 706 75622	RST SM 0402 RC32 5K62 PM1
3025	3198 031 01030	RST SM 0402 10K PM5
3026	3198 031 01030	RST SM 0402 10K PM5
3027	3198 031 90010	RST SM 0402 JUMP
3028	3198 031 01050	RST SM 0402 1M PM5
3029	3198 031 01010	RST SM 0402 100R PM5
3030	3198 031 01010	RST SM 0402 100R PM5
3032	3198 031 01030	RST SM 0402 10K PM5

- RESISTORS -

3033	2322 705 70189	RST SM 0402 RC31 18R PM5
3034	2322 705 70189	RST SM 0402 RC31 18R PM5
3035	2350 033 10339	RST NETW SM 4X 33R PM5
3036	2350 033 10339	RST NETW SM 4X 33R PM5
3037	2350 033 10339	RST NETW SM 4X 33R PM5
3038	2350 033 10339	RST NETW SM 4X 33R PM5
3039	3198 031 01520	RST SM 0402 1K5 PM5
3040	3198 031 02230	RST SM 0402 22K PM5
3041	2322 706 72702	RST SM 0402 RC32 2K7 PM1
3042	3198 031 01030	RST SM 0402 10K PM5
3043	3198 031 01030	RST SM 0402 10K PM5
3044	3198 031 01040	RST SM 0402 100K PM5
3045	3198 031 01040	RST SM 0402 100K PM5
3046	3198 031 04720	RST SM 0402 4K7 PM5
3047	3198 031 01030	RST SM 0402 10K PM5
3048	3198 031 01030	RST SM 0402 10K PM5
3049	3198 031 01020	RST SM 0402 1K PM5
3050	3198 031 01030	RST SM 0402 10K PM5
3051	3198 031 01030	RST SM 0402 10K PM5
3052	3198 031 01030	RST SM 0402 10K PM5
3053	3198 031 01030	RST SM 0402 10K PM5
3054	2350 033 10103	RST NETW SM 4X 10K PM5
3055	2350 033 10103	RST NETW SM 4X 10K PM5
3056	2350 033 10103	RST NETW SM 4X 10K PM5
3057	3198 031 01020	RST SM 0402 1K PM5
3058	3198 031 01020	RST SM 0402 1K PM5
3059	3198 031 01020	RST SM 0402 1K PM5
3060	3198 031 01030	RST SM 0402 10K PM5
3061	3198 021 31080	RST SM 0603 1R PM5
3062	3198 031 02230	RST SM 0402 22K PM5
3063	3198 031 01030	RST SM 0402 10K PM5
3064	3198 031 01030	RST SM 0402 10K PM5
3065	3198 031 01030	RST SM 0402 10K PM5
3066	3198 031 01030	RST SM 0402 10K PM5
3067	3198 031 01030	RST SM 0402 10K PM5
3069	3198 031 01030	RST SM 0402 10K PM5
3071	2322 706 74703	RST SM 0402 RC32 47K PM1
3072	3198 031 04740	RST SM 0402 470K PM5
3073	3198 031 04740	RST SM 0402 470K PM5
3074	3198 031 04740	RST SM 0402 470K PM5
3075	3198 031 01020	RST SM 0402 1K PM5
3076	3198 031 01040	RST SM 0402 100K PM5
3077	2350 033 91002	RST NETW SM 4X 0R
3078	3198 031 01050	RST SM 0402 1M PM5
3079	3198 031 03910	RST SM 0402 390R PM5
3080	3198 031 04740	RST SM 0402 470K PM5
3081	3198 031 01030	RST SM 0402 10K PM5
3082	3198 031 01030	RST SM 0402 10K PM5
3084	3198 031 01040	RST SM 0402 100K PM5
3085	3198 031 01010	RST SM 0402 100R PM5
3086	3198 031 01010	RST SM 0402 100R PM5
3088	3198 031 01010	RST SM 0402 100R PM5
3089	2322 705 70338	RST SM 0402 RC31 3R3 PM5
3090	2322 730 61129	RST SM 0805 RC11 12R PM5
3091	2322 730 61129	RST SM 0805 RC11 12R PM5

ELECTRICAL PARTSLIST - MAIN BOARD

(For reference only)

- RESISTORS -

3092	3198 031 01020	RST SM 0402 1K PM5
3093	3198 031 01020	RST SM 0402 1K PM5
3094	3198 031 01050	RST SM 0402 1M PM5
3095	3198 031 01050	RST SM 0402 1M PM5
3096	3198 031 02220	RST SM 0402 2K2 PM5
3097	3198 031 01540	RST SM 0402 150K PM5
3098	3198 031 04720	RST SM 0402 4K7 PM5
3099	3198 031 01030	RST SM 0402 10K PM5
3102	3198 031 01040	RST SM 0402 100K PM5
3103	3198 031 01020	RST SM 0402 1K PM5
3104	3198 031 01010	RST SM 0402 100R PM5
3105	3198 031 04730	RST SM 0402 47K PM5
4015	3198 031 90010	RST SM 0402 JUMP
4019	3198 031 90010	RST SM 0402 JUMP
4021	3198 031 90010	RST SM 0402 JUMP
4024	3198 031 90010	RST SM 0402 JUMP
4026	3198 031 90010	RST SM 0402 JUMP
4027	3198 031 90010	RST SM 0402 JUMP

- COILS & FILTERS -

5000	2422 536 00403	IND FXD SM 2220 10U PM20
5001	2422 536 00676	IND FXD SM 1812 10U PM10
5002	2422 536 00592	IND FXD SM 1210 10U PM10
5004	2422 549 42979	IND FXD 0603 EMI 100MHZ 60R
5005	2422 536 00709	IND FXD SM 0603 39N PM2
5006	2422 549 42979	IND FXD 0603 EMI 100MHZ 60R
5007	2422 549 45333	IND FXD 1206 EMI 100MHZ 120R
5008	2422 549 45333	IND FXD 1206 EMI 100MHZ 120R
5009	2422 549 45333	IND FXD 1206 EMI 100MHZ 120R
5010	2422 549 45333	IND FXD 1206 EMI 100MHZ 120R
5011	2422 549 42979	IND FXD 0603 EMI 100MHZ 60R
5012	2422 536 00675	IND FXD SM 0603 1U PM10
5013	2422 536 00675	IND FXD SM 0603 1U PM10
5014	2422 536 00675	IND FXD SM 0603 1U PM10
5015	2422 536 00675	IND FXD SM 0603 1U PM10
5016	2422 543 01402	RES XTL SM 6MHZ 20P
5017	2422 543 01403	RES XTL SM 12MHZ 20P
5018	2422 536 00709	IND FXD SM 0603 39N PM2
5019	2422 549 42979	IND FXD 0603 EMI 100MHZ 60R
5020	2422 536 00711	IND FXD SM 0603 120N PM10

- DIODES -

6000	9322 191 56685	DIO REC SM MBRM120L
6001	9322 191 56685	DIO REC SM MBRM120L
6002	9322 191 56685	DIO REC SM MBRM120L
6003	9339 763 60215	DIO SIG SM BAT54A
6004	9322 168 12685	DIO REG SM MMBZ15VAL
6005	9322 168 12685	DIO REG SM MMBZ15VAL
6006	9322 168 12685	DIO REG SM MMBZ15VAL
6007	9339 763 70215	DIO SIG SM BAT54C
6008	9322 168 12685	DIO REG SM MMBZ15VAL
6009	9322 168 12685	DIO REG SM MMBZ15VAL
6010	9322 168 12685	DIO REG SM MMBZ15VAL
6011	3198 010 10620	DIO SIG SM BAV99
6012	9337 422 80215	DIO SIG SM BAT54
6014	9322 191 56685	DIO REC SM MBRM120L
6015	9337 422 80215	DIO SIG SM BAT54
6016	9337 422 80215	DIO SIG SM BAT54

- IC & TRANSISTORS -

7002	9352 719 97557	IC SM SAA7750EL/N102
7003	9322 140 10685	FET POW SM SI3443DV
7004	9322 145 58671	IC SM EPM7064AETC100-10
7005	9322 209 93671	IC SM TIC-001060
7006	3198 010 42030	TRA SIG SM BC847B
7007	9340 425 20115	TRA SIG SM BC847BS
7008	9322 185 41668	IC SM MT48LC16M16A2TG
7009	9322 141 94685	FET POW SM SI34446DV
7010	3198 010 42150	TRA SIG SM BC857B
7011	9352 736 65518	IC SM PCF50606HN/04B
7012	9322 140 10685	FET POW SM SI3443DV
7013	9352 627 77165	IC SM 74AHC1G00GW
7014	3198 010 42030	TRA SIG SM BC847B
7015	9352 726 43518	IC SM TEA5880TS/N1
7016	3198 010 42150	TRA SIG SM BC857B
7017	9352 627 56125	IC SM 74AHC1G32GW
7018	9340 425 20115	TRA SIG SM BC847BS
7019	9352 627 55125	IC SM 74AHC1G08GW
7020	9352 627 56125	IC SM 74AHC1G32GW
7021	3198 010 42030	TRA SIG SM BC847B
7022	3198 010 42030	TRA SIG SM BC847B
7023	9352 611 78165	IC SM 74HC1GU04GW
7024	3198 010 70410	IC SM 74HC1G14GW
7025	3198 010 70400	IC SM 74LVC1G14GW
7026	9352 685 96125	IC SM 74LVC1GU04GW

